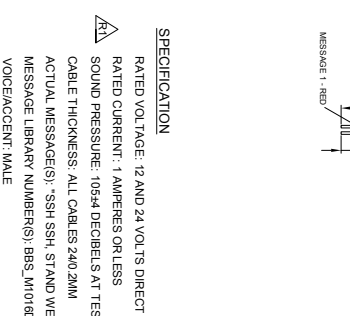
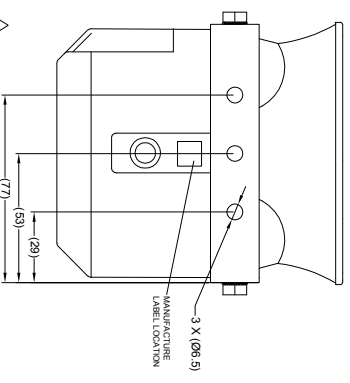
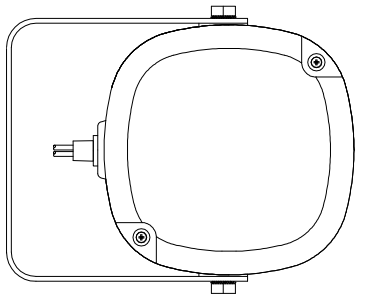
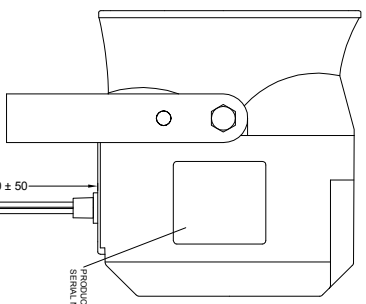
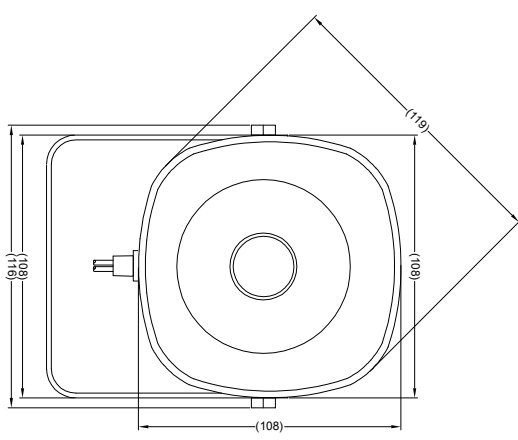
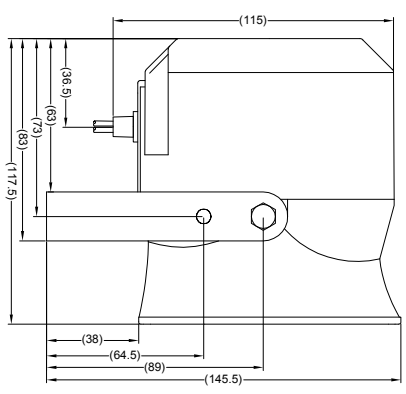
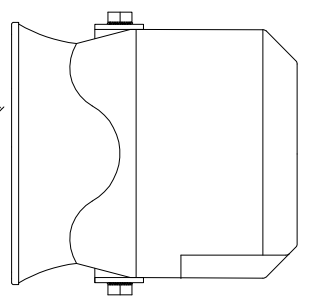


Revision Notes			
R1 - NOTES UPDATED TO INDICATE CORRECT LABEL DETAILS, STANDARDS UPDATED AS PER ECR CR-A253.			
SPL SPECIFICATION REVISED AS PER ECR CR-A211			
APR: AHEDDLE	Drawn/BATES	Checked/M/BUTLER	Approved/G/PLITH
			Date: 06/02/14



SPECIFICATION

- RATED VOLTAGE: 12 AND 24 VOLTS DIRECT CURRENT (WORKING VOLTAGE RANGE 10 THRU 30 VOLTS)
- RATED CURRENT: 1 AMPERES OR LESS
- SOUND PRESSURE: 105dB DECIBELS AT TEST VOLTAGE OF 14 AND 28 VOLTS
- CABLE THICKNESS: ALL CABLES 2MM
- ACTUAL MESSAGE(S): *SSH SSH, STAND WELL CLEAR VEHICLE REVERSING*
- MESSAGE LIBRARY NUMBER(S): BBS_M1016D
- VOICE/ACCENT: MALE
- LANGUAGE: ENGLISH

- NOTES:**
1. MATERIAL: ABS PLASTIC - ULTRA VIOLET STABILIZED
 2. FINISH: BLACK
 3. FOR PRODUCT LABEL REFER TO LATEST REVISION OF DRAWING BE-002749-XX-13.
 4. FOR GIFTBOX LABEL REFER TO LATEST REVISION OF DRAWING BE-002325-XX-13.
 5. FOR MANUFACTURE LABEL REFER TO LATEST REVISION OF DRAWING BE-001990-XX-12.
 6. 2 X M6 X10 BOLTS & 2 X M6 SHAKE PROOF WASHER ARE SUPPLIED IN A PRESS SEAL BAG IN THE BOX.
 7. ALARM TO BE SUPPLIED WITH U SHAPE BRACKET IN THE BOX.
 8. POWER & MESSAGE CABLES LENGTHS ARE MEASURED FROM CABLE ENTRY POINT ON HOUSING.

PROPRIETARY NOTICE
 THIS DESIGN AND TECHNICAL INFORMATION APPEARING ON THIS DRAWING IS THE PROPERTY OF BRIGADE ELECTRONICS, AND IS DISCLOSED IN CONFIDENCE. IT IS NOT TO BE COPIED, REPRODUCED, REVEALED TO OR EXPLOITED BY OTHERS, EITHER IN WHOLE OR IN PART WITHOUT THE EXPRESS WRITTEN CONSENT OF BRIGADE ELECTRONICS.



<p>Angle of Projection Third Angle</p>	Assembly Pl Approval AHEDDLE		Approved by S.MATTHEWS	Checked by LBRAR	Drawn by MBUTLER
	Status RELEASED	Scale N/A	Released 19/10/12	Assembly Ref A1126	Part No 0665A